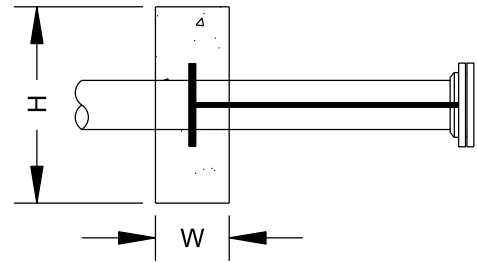
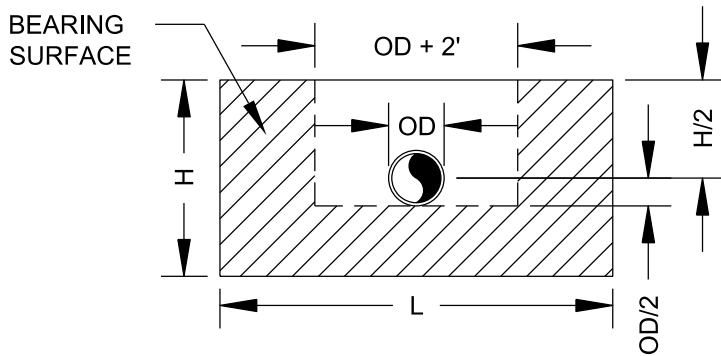


PLAN



SECTION



DEADMAN DIMENSION					
PIPE DIA. (IN)	L DIM.	H DIM.	W DIM.	CONC. VOLUME (YD <sup>3</sup> )	THRUST (LBF)
4	3'-0"	1'-7"	1'-0"	0.18	4,072
6	4'-3"	2'-1"	1'-0"	0.33	8,413
8	5'-4"	2'-8"	1'-0"	0.53	14,473
10	6'-0"	3'-6"	1'-0"	0.78	21,773
12	7'-1"	4'-0"	1'-0"	1.05	30,791

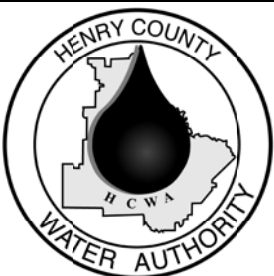
**NOTES:**

1. DEADMAN DIMENSIONS ARE BASED ON THE FOLLOWING DESIGN CRITERIA.

WORKING PRESSURE = 150 PSI  
 SOIL BEARING CAPACITY = 1,500 PSF  
 SAFETY FACTOR = 1.5

THESE ARE THE MINIMUM DESIGN CRITERIA. IF ACTUAL WORKING PRESSURE IS GREATER THAN 150 PSI OR IF ACTUAL SOIL BEARING CAPACITY IS LESS THAN 1,500 PSF, DIMENSIONS SHALL BE RECALCULATED.

2. DEADMAN CONCRETE SHALL HAVE A MINIMUM 28 DAY COMPRESSIVE STRENGTH OF 2,500 PSI.
3. DEADMAN SHALL BEAR AGAINST UNDISTURBED SOIL.
4. A MINIMUM 10 MIL PLASTIC SHEET SHALL BE PLACED BETWEEN CONCRETE AND PIPE.
5. ALL BOLTS SHALL REMAIN ACCESSIBLE. DO NOT COVER WITH CONCRETE.



**HENRY COUNTY WATER AUTHORITY**

**CONCRETE DEADMAN**

REVISED: 01/01/2018

SCALE: N.T.S.

DETAIL NO.

**S25**